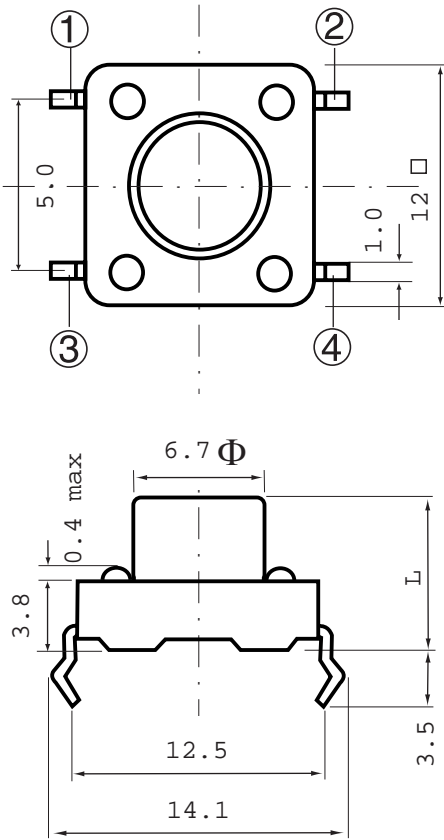
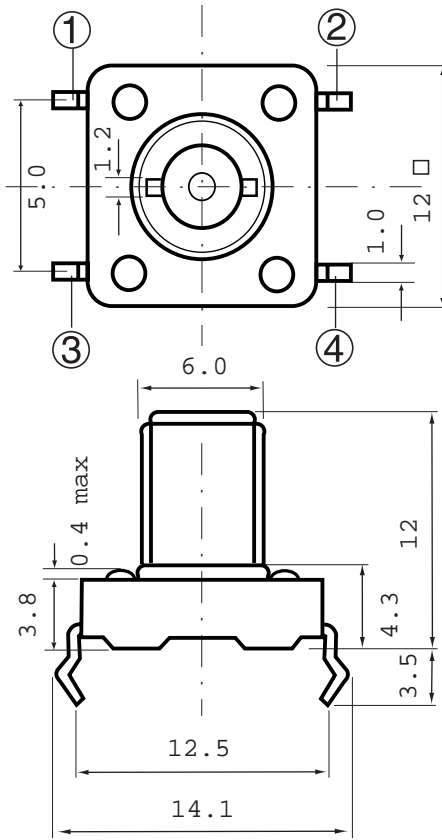


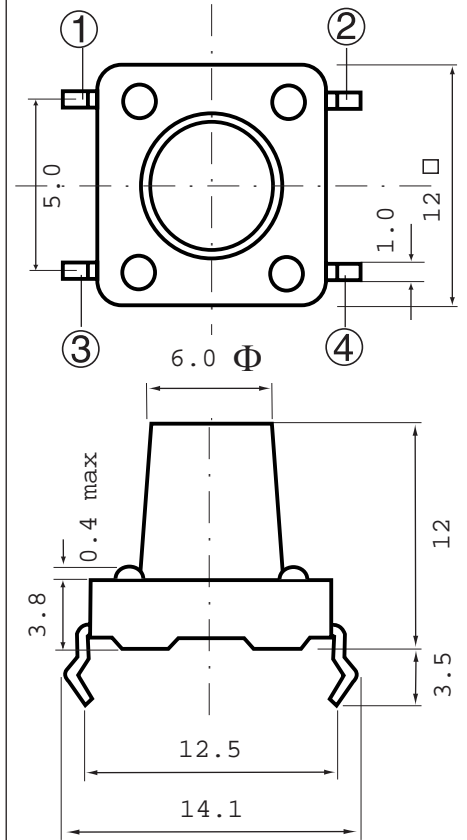
TACT SWITCH: 12 X 12 TYPE 60-3000



STANDARD STEM



STEM C



STEM D

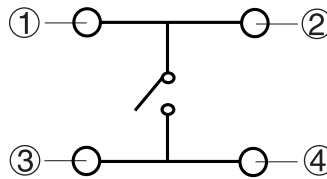
L	4.3	7.5	5.6
CODE	A	B	E

OPERATING		SWITCH CODE	SWITCH CODE	SWITCH CODE
FORCE (GRAMS)	LIFE (CYCLES)			
100	100,000	60-3S4L	60-3S4C	60-3S4D
130	100,000	60-3S1L	60-3S1C	60-3S1D
180	1,000,000	60-3S5L STANDARD	60-3S5C STANDARD	60-3S5D STANDARD
250	100,000	60-3S3L	60-3S3C	60-3S3D

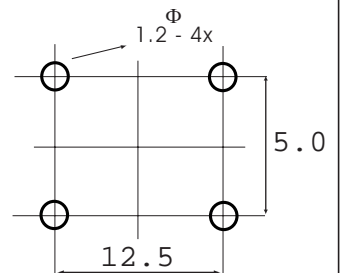
SPECIFICATIONS:

CONTACT	: METAL CONTACT
RATING	: 50 mA x 12 V DC
CONTACT RESISTANCE	: 100 mΩ MAX
PROOF VOLTAGE	: 250 V AC FOR 1 MIN
INSULATION RESISTANCE	: 100 MΩ MIN/100 V DC
RESISTANCE TO SOLDERING HEAT	: HAND 270 ± 10°C - 3 SEC MAX AUTO 255 ± 5°C - 5 SEC MAX

CIRCUIT DIAGRAM



PCB MOUNTING HOLE LAYOUT



PRODUCT: TACT SWITCH 12 x12 TYPE: 60-3000	
DIMENSIONS: MM TOLERANCE: ± 0.2 MM	
CHECKED BY:	DATE:
APPROVED BY:	DATE:

Pran Electronics Pvt. Ltd.
 52 G.I.D.C. Makarpura
 Vadodara 390 010. INDIA.
 Phone: 0265 263 2916, 263 5920.
 Fax: 0265 263 5918.
 Email: info@pranelectronics.com