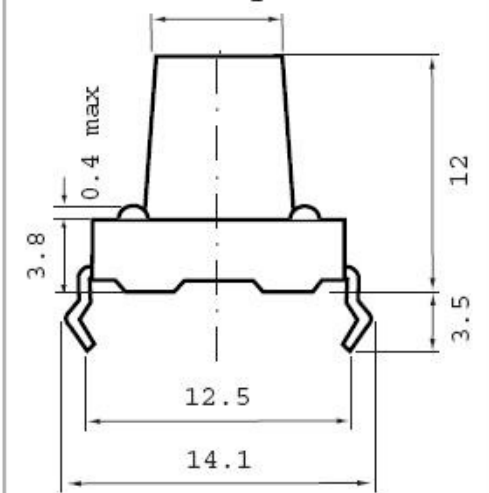
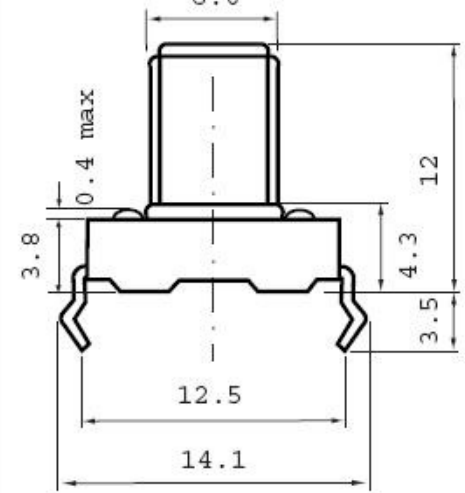
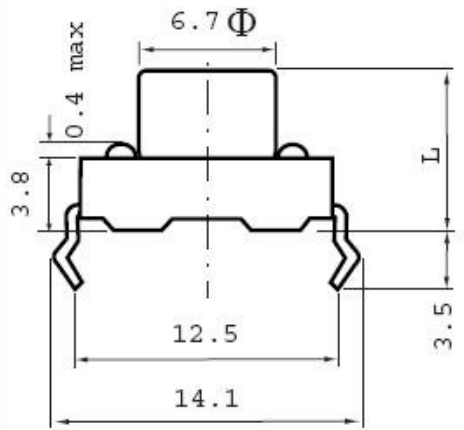
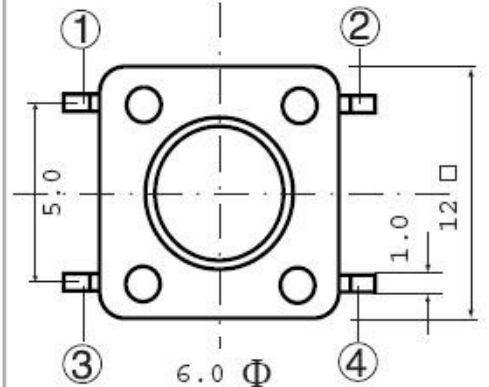
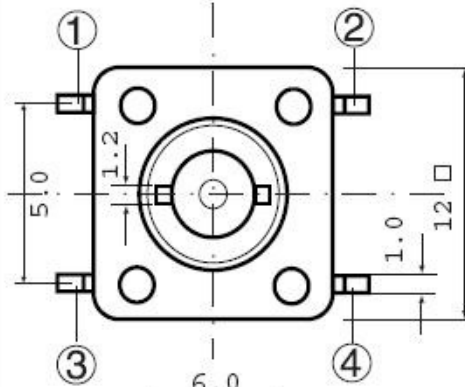
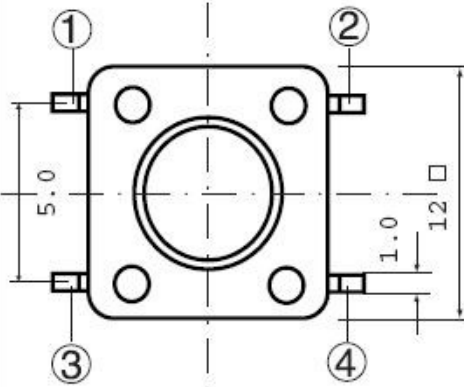


TACT SWITCH: 12 X 12 TYPE 60-3000 **RoHS COMPLIANT**



STANDARD STEM

STEM C

STEM D

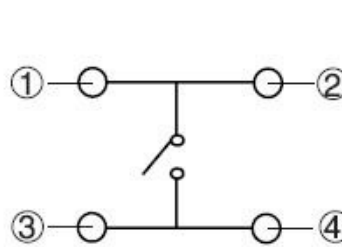
L	4.3	7.5	5.6	9.5
CODE	A	B	E	F

OPERATING		SWITCH CODE	SWITCH CODE	SWITCH CODE
FORCE (GRAMS)	LIFE (CYCLES)			
100	100,000	60-3S4L	60-3S4C	60-3S4D
130	100,000	60-3S1L	60-3S1C	60-3S1D
180	1,000,000	60-3S5L STANDARD	60-3S5C STANDARD	60-3S5D STANDARD
250	100,000	60-3S3L	60-3S3C	60-3S3D

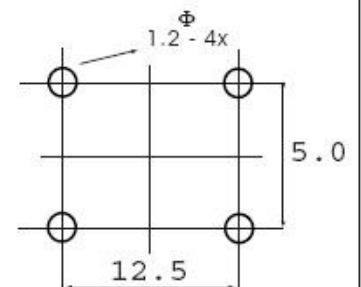
SPECIFICATIONS:

CONTACT	: METAL CONTACT
RATING	: 50 mA x 12 V DC
CONTACT RESISTANCE	: 100 mΩ MAX
PROOF VOLTAGE	: 250 V AC FOR 1 MIN
INSULATION RESISTANCE	: 100 MΩ MIN/100 V DC
RESISTANCE TO SOLDERING HEAT	: HAND 270±10°C - 3 SEC MAX AUTO 255± 5°C - 5 SEC MAX
Operating temp	: -40 to 85 Deg. C

CIRCUIT DIAGRAM



PCB MOUNTING HOLE LAYOUT



PRODUCT: TACT SWITCH 12 x12 TYPE: 60-3000

DIMENSIONS: MM TOLERANCE: ± 0.2 MM

CHECKED BY:

DATE:

APPROVED BY:

DATE:



Pran Electronics Pvt. Ltd.

52 G.I.D.C. Makarpura
Vadodara 390 010. INDIA.

- Part Code: Replace L with A,B,C....
- Part Code: 60-3S5A = 4.3mm height, 180gf
- Part code: 60-3S5B = 7.5mm height, 180gf
- Part code: 60-3S5D = 12mm height, 180gf
- Part code: 60-3S5E = 5.6mm height, 180gf
- Part code: 60-3S5F = 9.5mm height, 180gf