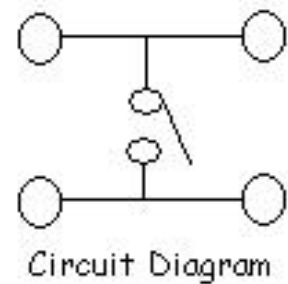
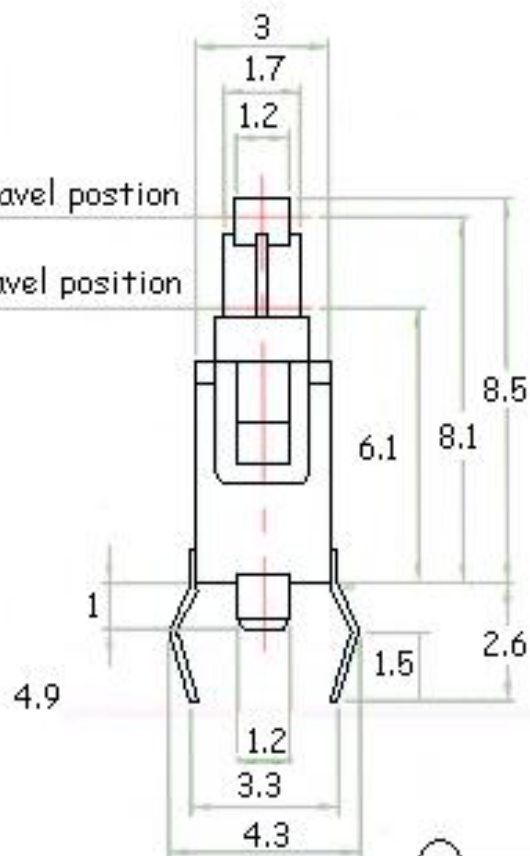


Start travel position

Total travel position



Specifications:

Contact: Spring Metal Contact

Rating: 100 mA x 30 V DC

Contact Resistance: 100 milli Ohms max.

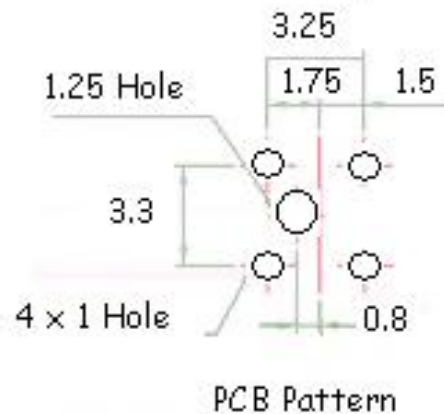
Proof Voltage: 100 V AC for 1 minute


Insulation Resistance: 100 M Ohms max.

Resistance to Soldering Heat:

Hand 270 +/- 10 Deg, 3 seconds max

Auto 255 +/- 5 Deg, 5 seconds max



Part Name:	Material:	Revision No: 00	Sheet 1 of 1
		Design by: PRM	Date: 8/6/05
		Checked by: APM	Date: 9/6/05
Main Product: Detector Switch		Approved by: APM	Date: 18/6/05
Tolerance: ± 0.2 mm	Scale: Not to scale	Drawing No: 80-1S1A	
Dimensions: mm	3rd Angle Projection	 PRAN ELECTRONICS PVT. LTD. 52 GIDC MAKARPURA VADODARA 390 010	