

L: 5 mm B
 9 mm e
 13 mm g

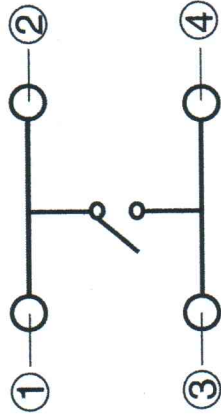
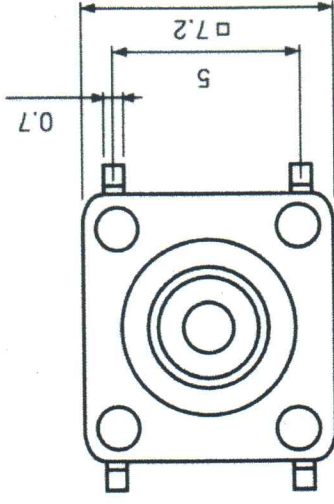
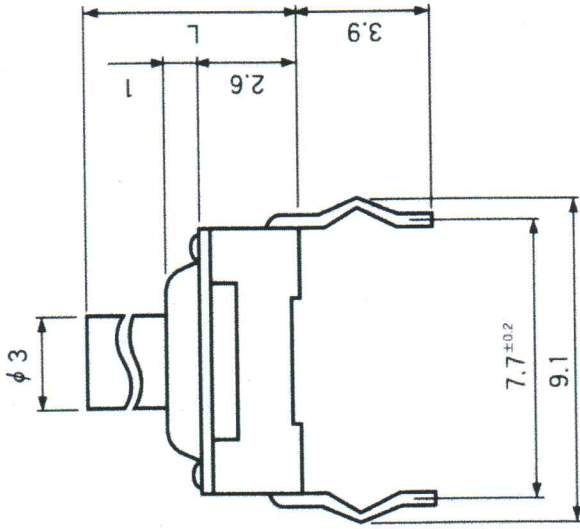
OPERATING 200 4
 FORCE gf: 250 5

Part No: 60-4SXL
Dust - drip proof
SPECIFICATIONS

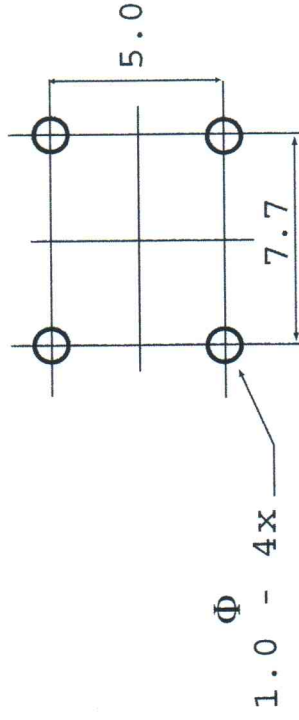
CONTACT : METAL CONTACT
 RATING : 50 mA x 12 V DC
 CONTACT RESISTANCE : 100 mΩ MAX
 PROOF VOLTAGE : 250 V AC FOR 1 MIN
 INSULATION RESISTANCE : 100 MΩ MIN/100 V DC
 OPERATING FORCE : 200 ± 30 gf, 250 ± 50 gf
 OPERATING LIFE : 100,000 CYCLES

WATER RESISTANCE PROPERTIES

TEMPERATURE : 60 °C
 WATER DEPTH : 10 CM
 TIME : 10 HR
 HUMIDITY : 90/95% - 100 HRS



CIRCUIT DIAGRAM



PCB MOUNTING HOLE LAYOUT

Part Name:	Material:	Revision No: 00	Sheet 1 of 1
		Design by:	Date: 21/11/03
		Checked by:	Date: 21/11/03
		Approved by:	Date: 21/11/03
Main Product: Tact Switch - dust - drip proof	Scale: Not to scale	Drawing No: 60-4SXL	
Tolerance: ± 0.2 mm	3rd Angle Projection		
Dimensions: mm			



Pran Electronics Pvt. Ltd.
 52 G.I.D.C. Makarpura Vadodara 390 010. INDIA.
 Phone: [0265] 263 2916 / 5920. Fax: 263 5918.
 Email: info@pranelectronics.com