

SPECIFICATIONS:
ELECTRICAL

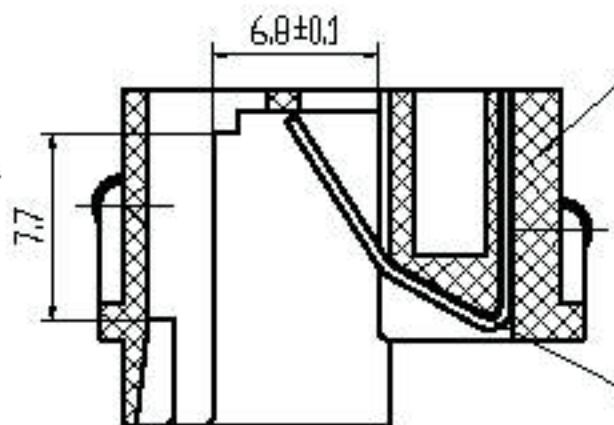
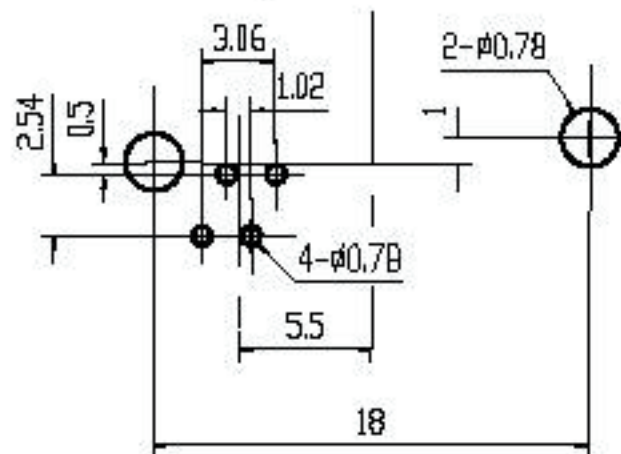
CONTACT RESISTANCE : 40 mW maximum.
 INSULATION RESISTANCE : 1000 MW minimum. 500 V DC.
 PROOF VOLTAGE : 1000 V AC for 1 minute.


MECHANICAL

HOUSING : PBT - Glass filled UL94V0.
 HOUSING COLOUR : Black.
 CONTACT MATERIAL : Phosphor Bronze 0.46 dia.
 PLATING : Gold Plating 3, 6, 15, 30, or 50U".
 OPERATING LIFE : 600 mating cycles minimum.

PART NO.

JP-T1-8P8C-03 Gold Plating: 03, 06, 15, 30, or 50U"
 No. of contacts 2C, 4C, 6C, 8C



Part Name:	Material:	Revision No: 00	Sheet 1 of 1
1. Housing	PBT UL94V0	Design by: DRM	Date: 08/02/2005
2. Contact Pins	PhBz Gold Plated	Checked by: ACB	Date: 08/02/2005
Main Product: Modular Jack		Approved by: ADM	Date: 09/02/2005
Tolerance: ± 0.2 mm	Scale: Not to scale	Drawing No: JP-616S-4D4C	
Dimensions: mm	3rd Angle Projection	 Pran Electronics Pvt. Ltd. 52 G.I.D.C. Makarpura Vadodara 390 010.	