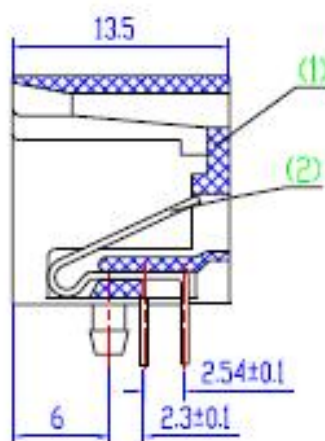
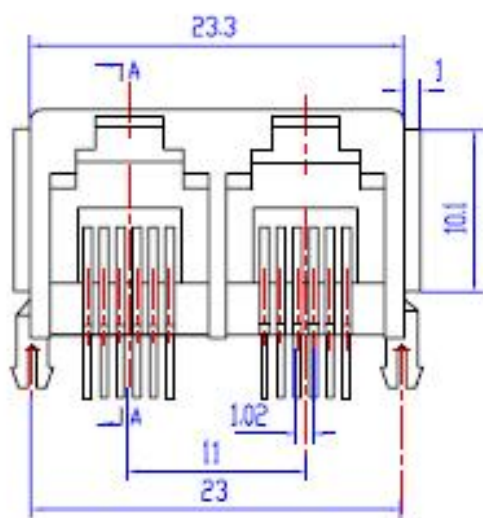


**PCB LAYOUT**




**SPECIFICATIONS**

**ELECTRICAL:**

- Contant Resistance: 40 milli Ohms max.
- Insulation Resistance: 1000 MΩ min. 500
- Proof Voltage: 1000 V AC for 1 minute

**MECHANICAL:**

- Housing: PBT Glass filled UL94V0
- Contact Material: Phosphor Bronze 0.46 dia.
- Contact Plating: Gold Plating 03, 06, 15, 30 or 50U"
- Operating Life: 600 mating cycles min.

Part Name:	Material:	Revision No: 00	Sheet 1 of 1
1. Housing	PBT UL94V0	Design by: PRM	Date: 04/5/04
2. Contact Pins	PhBz Gold Plated	Checked by: APM	Date: 04/5/04
Main Product: Side Entry Modular Jack		Approved by: APM	Date: 04/5/04
Tolerance: ± 0.2 mm	Scale: Not to scale	Drawing No: JP- 623A 2Port	
Dimensions: mm	3rd Angle Projection	 <b>PRAN ELECTRONICS PVT. LTD.</b> 52 GIDC MAKARPURA VADODARA 390 010	