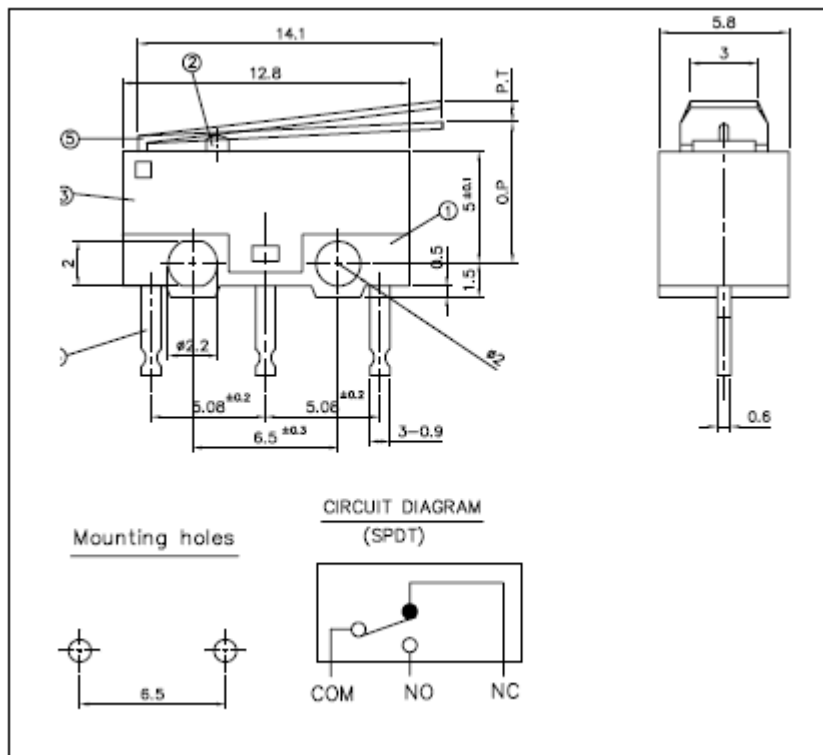
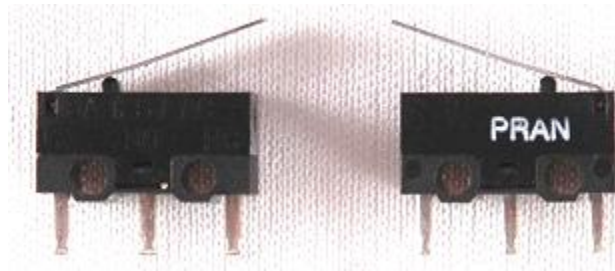


## MICRO SWITCH SPDT CODE: MS-1283PL



### SPECIFICATIONS:

**RoHS Compliant**

CONTACT:	SPDT- SILVER PLATED
RATING:	500mA 30 V DC, 3A 125V AC
CONTACT RESISTANCE:	50 milli Ohms max.
INSULATION RESISTANCE:	100 M Ohms min. 500 V DC
PROOF VOLTAGE:	600 V AC for 1 min.
OPERATING FORCE:	50 ± 20 gf
OPERATING LIFE:	10,000 cycles

PRAN ELECTRONICS PVT. LTD.  
52, GIDC, MAKARPURA,  
VADODARA – 390010.  
INDIA.