

SOFT TOUCH POSITIVE TACTILE FEEL

SPST SWITCH.

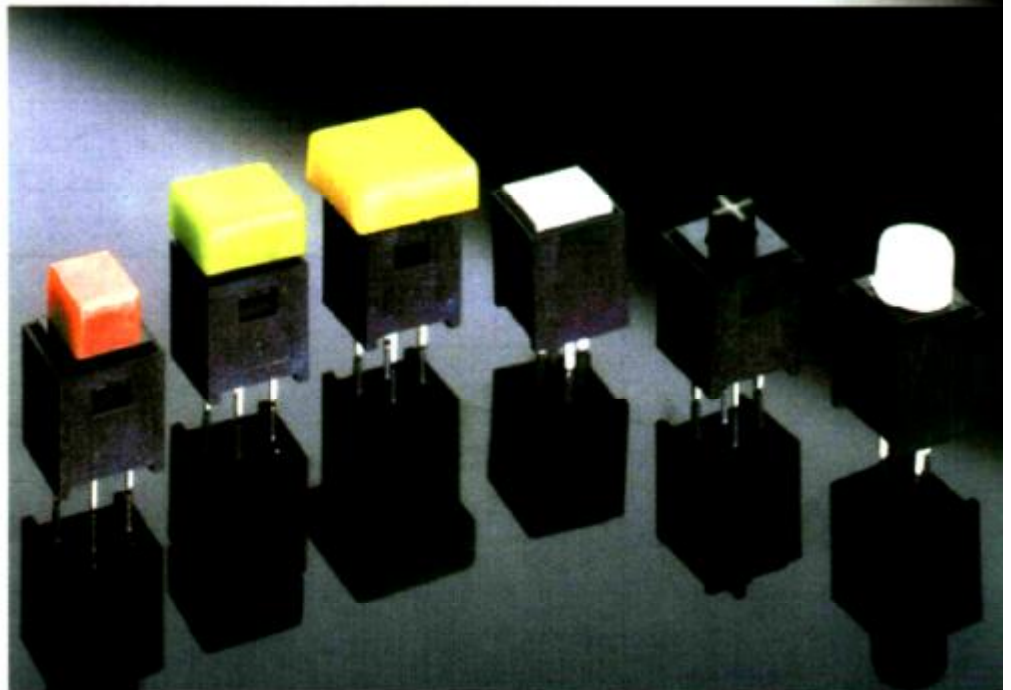
4 PIN CONFIGURATION CAN BE

USED AS JUMPER LEADS TO

FACILITATE PCB LAYOUT.

AVAILABLE WITH VARIOUS KNOBS

SIZE IN ATTRACTIVE COLOURS.



TYPE 30: KEY SWITCH

SPECIFICATIONS:

FUNCTION	: MOMENTARY TACTILE
CONTACTS	: SILVER PLATED BRASS
RATING	: 20 mA, 35 V DC
CONTACT RESISTANCE	: < 25 m Ω
INSULATION RESISTANCE	: > 25,000 M Ω
OPERATING TEMPERATURE	: - 20°C TO + 70°C
OPERATING FORCE	: 1.2 (+ 0.3 - 0.2) N
OPERATING TRAVEL	: 0.7 (- 0.2) mm
OPERATING LIFE	: > 250,000 CYCLES
CAPICITANCE	: < 0.9 pF
KNOB COLOURS	: BLACK, WHITE, GREY, YELLOW, GREEN, BLUE, ORANGE, RED

°C-DOT APPROVED.



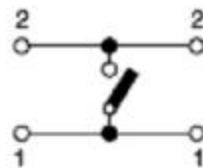
MEHTA SWITCH

TYPE	SWITCH CODE		
LOW PROFILE			
STANDARD SWITCH			

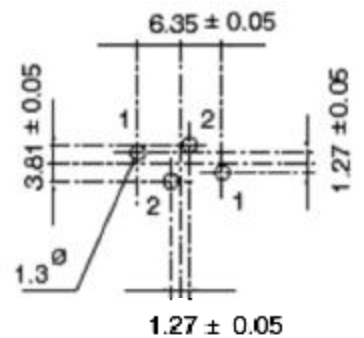
KNOB CODE			
8 X 6 mm			
7 mm DIA.			
10 X 10 mm			
12.5 X 12.5 mm			

COLOUR CODE

- BLACK (2)
- WHITE (3)
- GREY (4)
- YELLOW (5)
- GREEN (6)
- BLUE (7)
- ORANGE (8)
- RED (9)



4 PIN VERSION



PCB LAYOUT