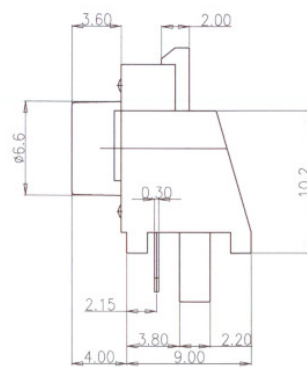
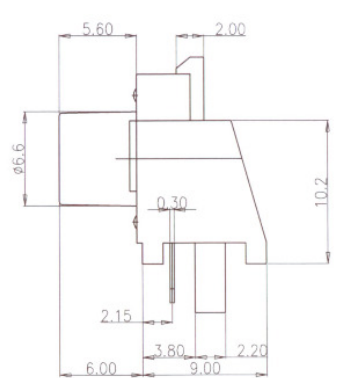


60-3V3A

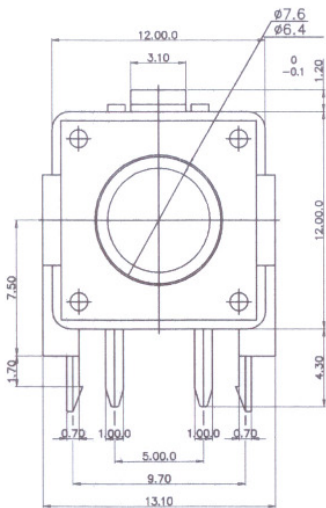


60-3V3B

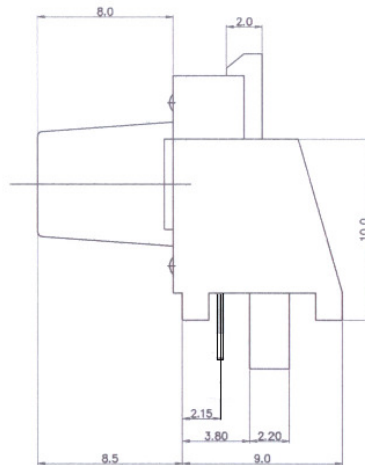


60-3V3F

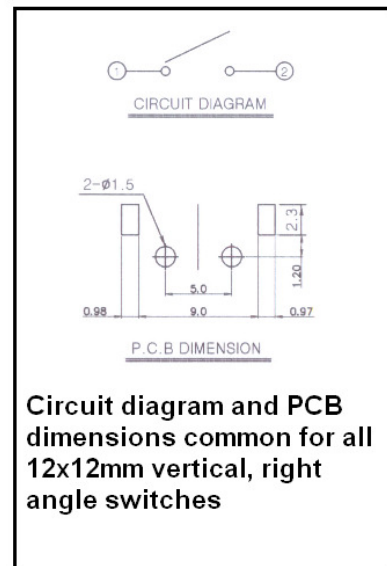
Common for 60-3V3A/B/E/F



60-3V3D



60-3V3D

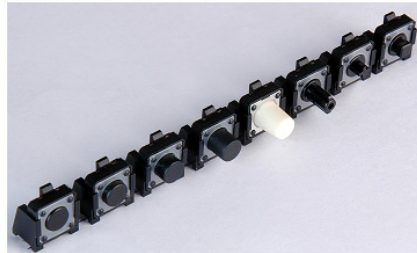


Circuit diagram and PCB dimensions common for all 12x12mm vertical, right angle switches

SPECIFICATIONS:

- CONTACT : METAL CONTACT
- RATING : 50 mA x 12 V DC
- CONTACT RESISTANCE : 100 mΩ MAX
- PROOF VOLTAGE : 250 V AC FOR 1 MIN
- INSULATION RESISTANCE : 100 MΩ MIN/100 V DC
- RESISTANCE TO SOLDERING HEAT : HAND 270 ± 10°C - 3 SEC MAX
AUTO 255 ± 5°C - 5 SEC MAX

Operating temp: -40 to 85 Deg. C



Product: Vertical 12x12mm tact switch

DIMENSIONS: MM TOLERANCE: ± 0.2 MM	
CHECKED BY:	DATE:
APPROVED BY:	DATE:



Pran Electronics Pvt. Ltd.
 52 G.I.D.C. Makarpura
 Vadodara 390 010. INDIA.
 Phone: 0265 263 2916, 263 5920.
 Fax: 0265 263 5918.
 Email: info@pranelectronics.com