

Modular Jacks 616E, 616W, 616M:

Detail specifications and test conditions.

Description: Wired Jack 616E/M/W wire lengths and wire colour as per customer drawing.

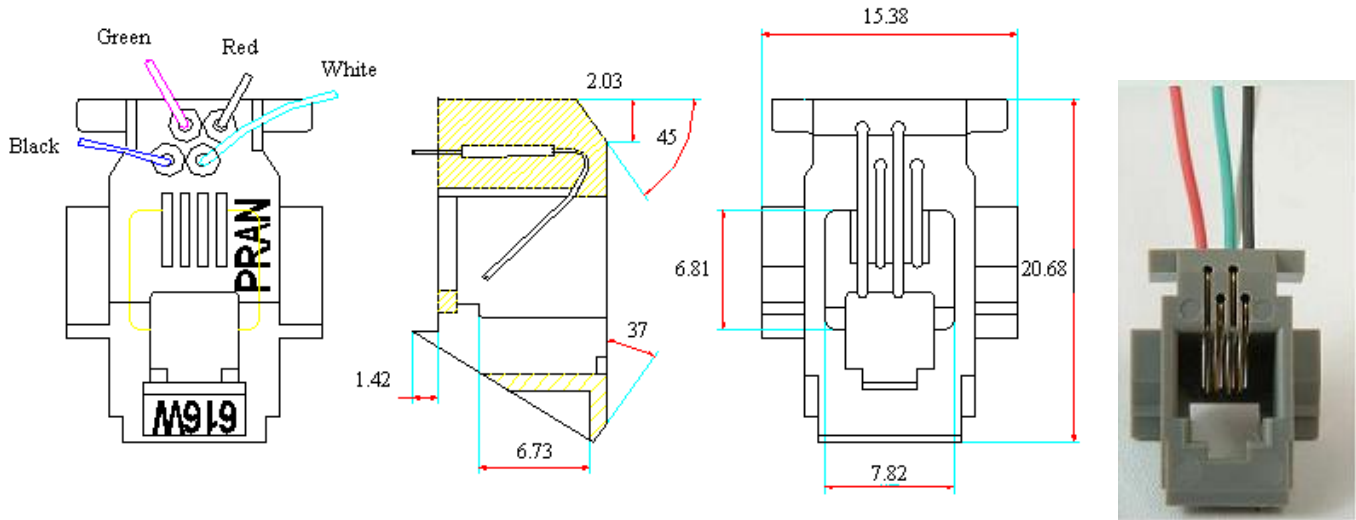
Gold Plating: 3,6,15,30U” or 50U”

Code: JL-616E-4P4C / JL-616W-4P4C / JL-616M-4P4C

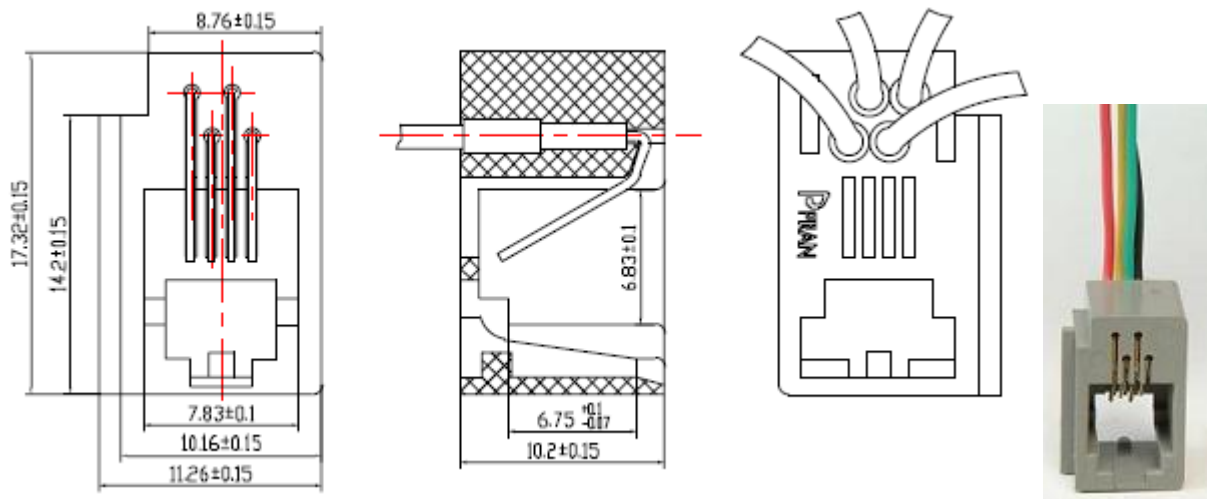
Sr. No.	Item	Test Conditions	Criteria
ELECTRICAL SPECIFICATONS			
1.	Contact Resistance	Voltage drop Method 5 VDC, 10mA	40 milli Ohms Maximum
2.	Proof Voltage	1000 VAC Duration: 1 Minute	No breakdown
3.	Insulation Resistance	500 VDC Duration: 1 Minute	100 Mega Ohms Minimum
MATERIAL SPECIFICATONS			
4.	Housing material	ABS – standard colour Grey	UL 94V0
5.	Contact Material	Phosphor Bronze	0.46 dia. +/- 0.01mm
6.	Contact Plating	As per customer requirement	Gold Plating
7.	Wire	PVC 7 x 0.16mm(+/- 0.01mm) Tinned Copper	Wire Size, Colour and length
MECHANICAL SPECIFICATONS			
8.	Mating Force	4 Contacts – 500 Grams	500 Grams
9.	Retention Force	Between Jack and Plug	7.7 Kgs.
10.	Crimp Tensile Strength	Between Contact Wire and PVC Wire	2.27 Kgs. Minimum
ENDURANCE SPECIFICATION			
11.	Operating Life	5 VDC at 5 mA, resistive load Rate of operation: 2 to 3 operations per second Cycles of Operation: 600	Minimum 600 Cycles



616W DIMENSIONS:



616E DIMENSIONS:



616W DIMENSIONS:

