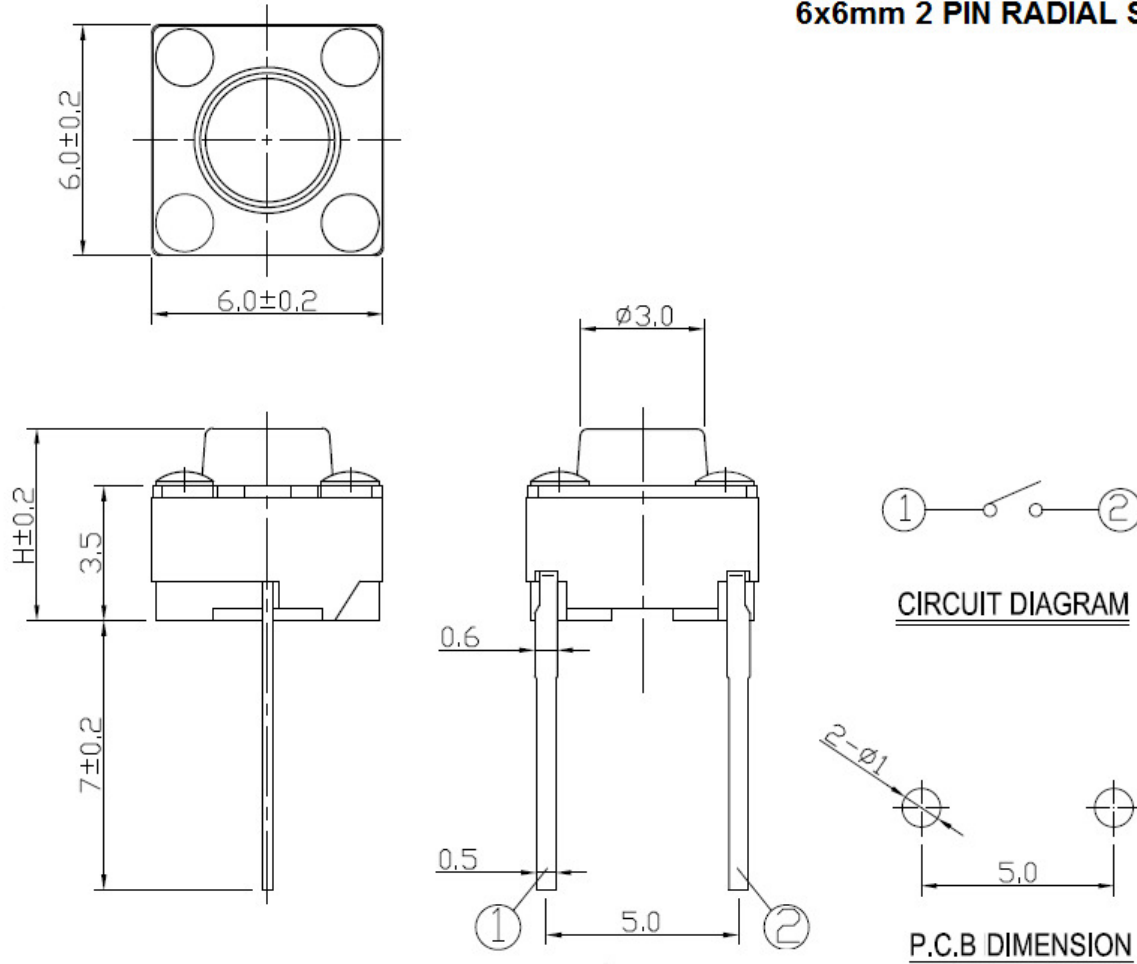


6x6mm 2 PIN RADIAL SWITCH

ROHS COMPLIANT



SPECIFICATIONS:

Rating: 50mA x 12V DC

Contact resistance: 100 mOhms max.

Proof Voltage: 250V AC for 1 minute

Insulation Resistance: 100 MOhms minimum/100VDC

Operating Life: 100,000 cycles PhBz contact

Operating Force: 160gf, option 250gf

Operating Temperature: -40 to 85 Deg. C

Soldering Temperature: 270 +/- 10 Deg. for 3 sec.

Part Code

| Part Code | H = Height mm |
|------------|---------------|
| 60-2A2-043 | 4.3 |
| 60-2A2-050 | 5.0 |
| 60-2A2-060 | 6.0 |
| 60-2A2-070 | 7.0 |
| 60-2A2-080 | 8.0 |
| 60-2A2-085 | 8.5 |
| 60-2A2-095 | 9.5 |
| 60-2A2-100 | 10.0 |
| 60-2A2-110 | 11.0 |
| 60-2A2-125 | 12.5 |
| 60-2A2-130 | 13.0 |
| 60-2A2-135 | 13.5 |
| 60-2A2-170 | 17.0 |

Raw Material:

| S.NO. | PART | MATERIAL | QTY |
|-------|--------------------|-----------------------------|-----|
| 1 | BASE | PA66/NYLON6/6 | 1 |
| 2 | TERMINAL | Brass Silver Plated | 2 |
| 3 | DOME CONTACT | Phosphor Bronze/Silver Clad | 1 |
| 4 | KNOB | PA 66 | 1 |
| 5 | STATIONERY CONTACT | Brass Silver Plated | 1 |
| 6 | COVER | Plastic Film | 1 |

DO NOT SCALE DRAWING
DIMENSIONS IN MM
GENERAL TOLERANCE +/-0.2MM



PRAN ELECTRONICS PVT. LTD.
52, GIDC, MAKARPURA,
VADODARA, 390010.
INDIA