

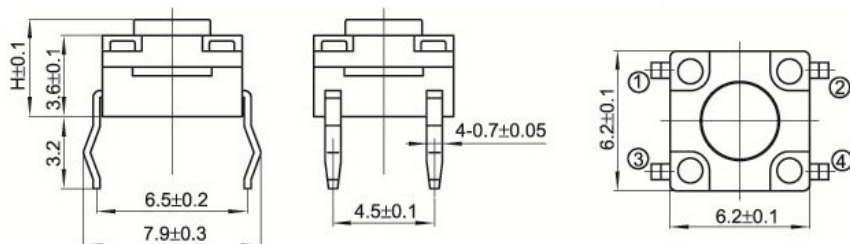
6x6mm Waterproof switch



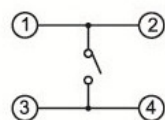
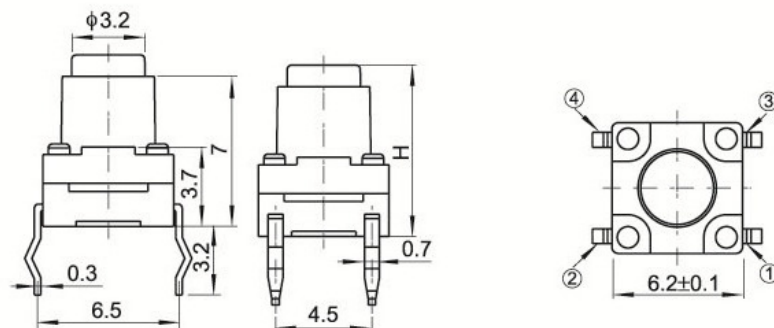
ROHS COMPLIANT



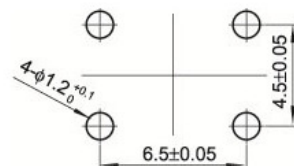
For H = 4.3 to 9.5mm



For H = 10 to 17mm



Circuit Diagram



PCB layout

H
4.3
5.0
5.5
6.0
6.5
7.0
7.5
8.0
8.5
9.0
9.5

H
10
10.5
11
11.5
12
12.5
13
13.5
14
14.5
15
15.5
16
16.5
17

SPECIFICATIONS:

Rating: 50mA x 12V DC

Contact resistance: 100 mOhms max.

Proof Voltage: 250V AC for 1 minute

Insulation Resistance: 100 MOhms minimum/100VDC

Operating Life: 100,000 cycles PhBz contact

Operating Force: 250gf

Operating Temperature: -40 to 85 Deg. C

Soldering Temperature: 270 +/- 10 Deg. for 3 sec.

Part Code: 60-2S2-XXX-WP

Replace XXX with overall height H
refer Table for various height from 4.3 to 17mm

4.3mm = 043

5mm = 050

17mm = 170

Example Part code: 60-2S2-090-WP = 9mm height

