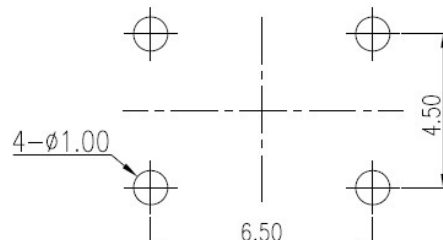
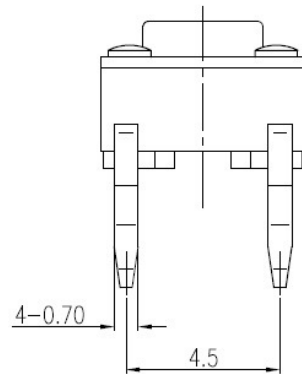
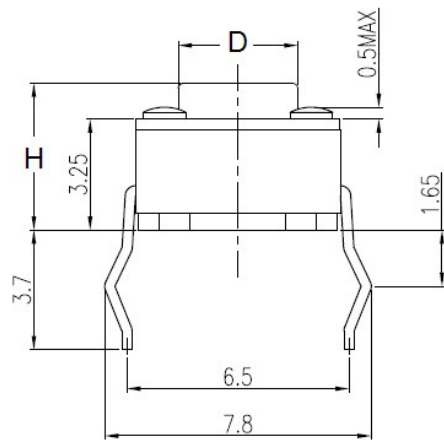
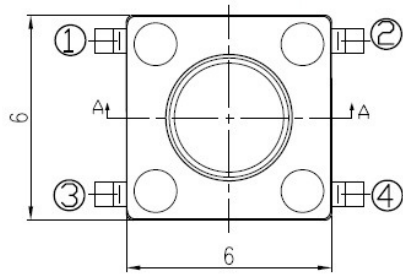
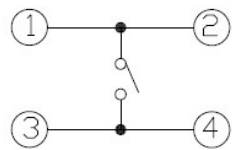


### 6x6mm STANDARD TACT SWITCH



RECOMMENDED PCB LAYOUT



CIRCUIT DIAGRAM

**SPECIFICATIONS:**

Rating: 50mA x 12V DC

Contact resistance: 100 mOhms max.

Proof Voltage: 250V AC for 1 minute

Insulation Resistance: 100 MOhms minimum/100VDC

Operating Life: 100,000 cycles PhBz contact

Operating Force: 160gf, option 250gf

Operating Temperature: -40 to 85 Deg. C

Soldering Temperature: 270 +/- 10 Deg. for 3 sec.

Part Code	H	D	Old Part code
	Height	Dia.	
60-2S2-043	4.3	3.5	60-2S2A
60-2S2-050	5.0	3.4	60-2S2B
60-2S2-060	6.0	3.3	60-2S2M
60-2S2-070	7.0	3.3	60-2S2C
60-2S2-075	7.5	3.3	
60-2S2-080	8.0	3.3	60-2S2D
60-2S2-085	8.5	3.0	60-2S2I
60-2S2-095	9.5	3.0	60-2S2E
60-2S2-100	10.0	3.0	
60-2S2-110	11.0	3.0	60-2S2K
60-2S2-125	12.5	3.0	60-2S2F
60-2S2-130	13.0	3.0	60-2S2J
60-2S2-135	13.5	3.0	60-2S2G
60-2S2-170	17.0	3.0	60-2S2H

Rev. 00 date 1/1/2018

Dimensional tolerance +/- 0.2mm

**P PRAN ELECTRONICS PVT. LTD. INDIA.**

