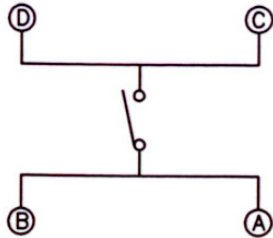
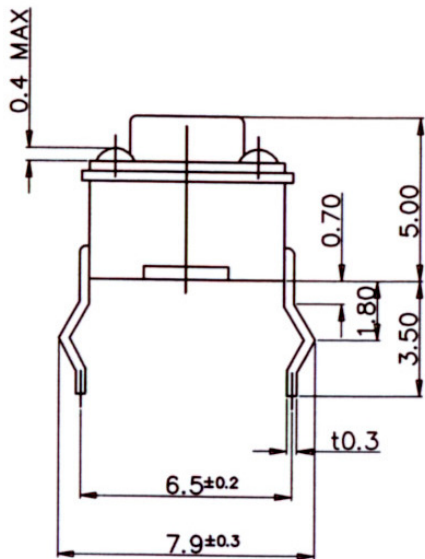
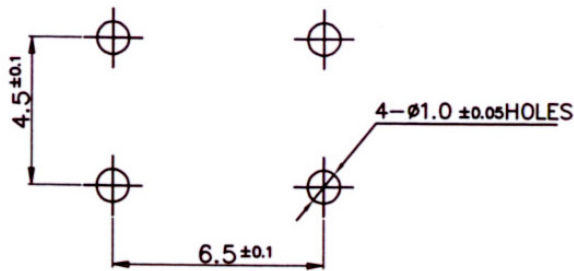


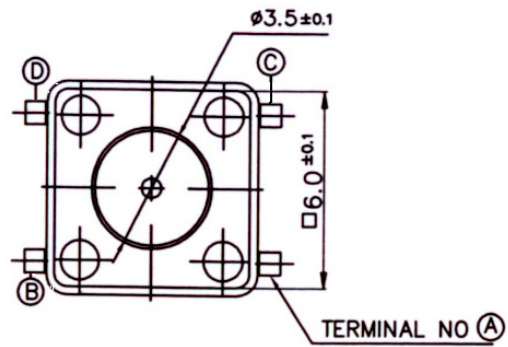
CIRCUIT DIAGRAM



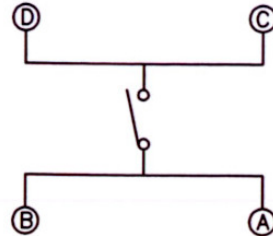
PCB DIMENSION



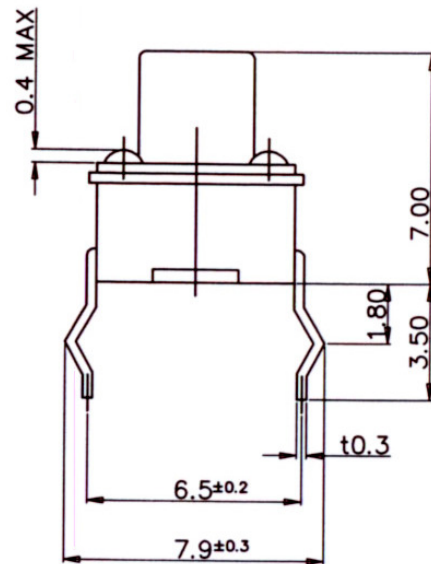
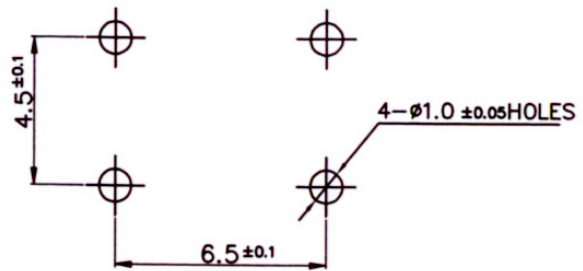
Part code: 60-2S3B-R
 Rubber stem tact switch, 250gf
 Height = 5.00mm
 Dust Proof Tact Switch



CIRCUIT DIAGRAM



PCB DIMENSION



Part Code: 60-2S3C-R
 Rubber Stem tact switch, 250gf
 Height = 7.00mm
 Dust Proof Tact Switch

PRAN ELECTRONICS PVT. LTD. INDIA
 DUST PROOF SWITCHES WITH SAME FOOT PRINT AS
 STANDARD 6X6MM SWITCHES