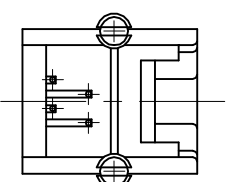
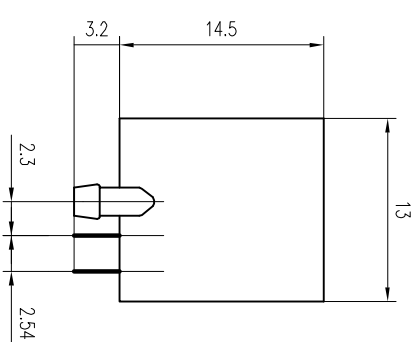
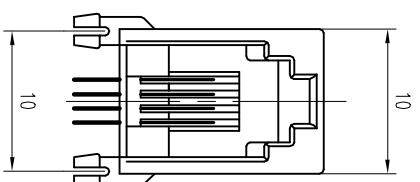
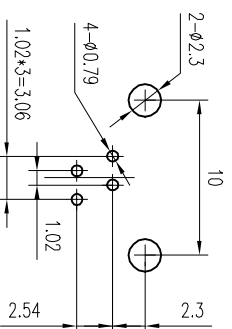


PCB LAYOUT



All Dimensions are in mm.
Tolerance + 0.2 mm

PRAN ELECTRONICS PVT. LTD.
52, GIDC MAKARPURA, BARODA.
PCB JACK - JP - 616A - 4P4C

Date: 16/07/02