



PRAN ELECTRONICS PVT. LTD.

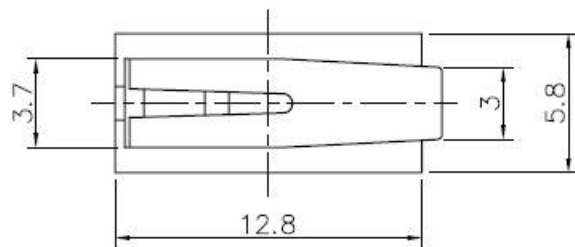
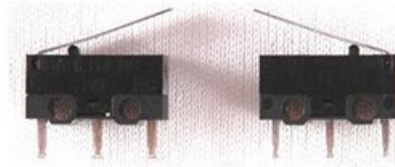
52, GIDC, Makarpura, Vadodara - 390 010. India.
Phone : +91 - 265 - 263 2916, 263 5920 Fax : + 91 - 265 - 263 5918
E-mail : info@pranelectronics.com Web : www.pranelectronics.com

AN ISO 9001:2000 COMPANY

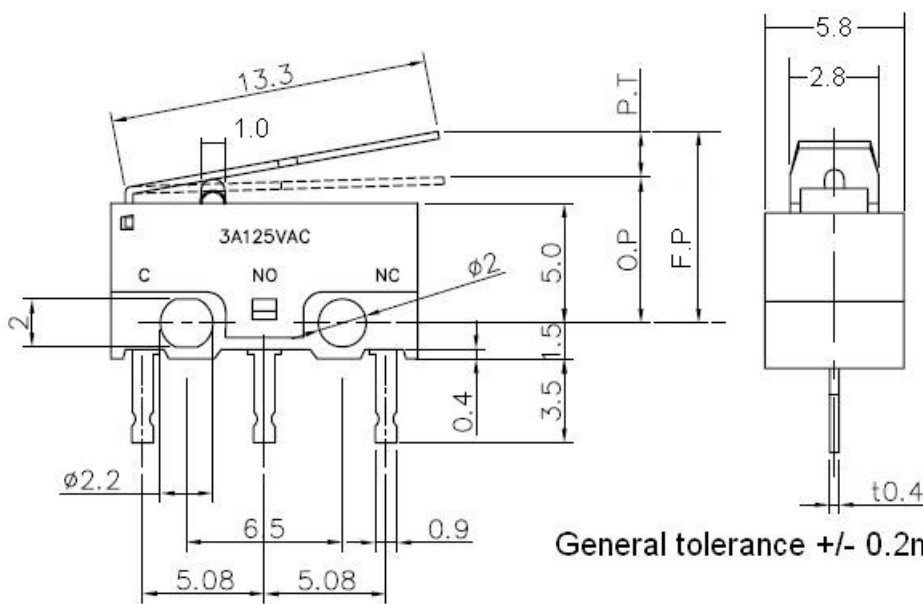
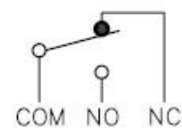
MICRO SWITCH: MS-1283-PL

Rev.02 06/05/2010*

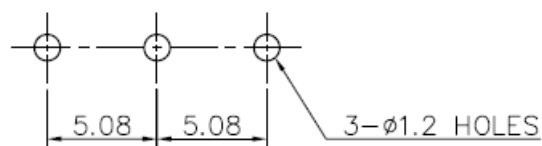
RoHS Compliant



CIRCUIT DIAGRAM



P.C.B DIAGRAM





PRAN ELECTRONICS PVT. LTD.

52, GIDC, Makarpura, Vadodara - 390 010. India.
Phone : +91 - 265 - 263 2916, 263 5920 Fax : + 91 - 265 - 263 5918
E-mail : info@pranelectronics.com Web : www.pranelectronics.com

AN ISO 9001:2000 COMPANY

MICRO SWITCH: MS-1283-PL

Rev.02 06/05/2010*

RoHS Compliant

Specifications:

Switch type	Micro Switch with PCB terminals
Contact Rating	125V AC x 3A, 30V DC x 2 A
Contact Arrangement	SPDT (Single Pole Double Throw)
Operating Life	
At rated load (electrical)	1,000,000 cycles
No Load (mechanical)	5,000,000 cycles
Dielectric Strength for 1 min.	1000 V AC
Insulation Resistance	100 M Ohms min.
Contact Resistance	
Initial	50 milli Ohms max.
After expected life	100 milli Ohms max.
Max. Operating frequency	400 operations/min.
Ambient Temperature	-25 Deg. C to 85 Deg. C
Ambient Humidity	Less than 85% RH

Operating characteristics:

Operating Force O.F (max)	70gf \pm 20gf
Return Force R.F (min)	5gf
Pre Travel P.T (max)	1.8mm
Over Travel O.T (min)	0.6mm
Operating position O.P	7.0 \pm 0.5mm
Free position F.P	10.00 +/- 0.5mm max.

Material Specifications:

Housing, Plunger	Nylon 66 G30
Terminals	Brass Silver Plated
Contacts	Silver rivets

*Revision notes:

01 21/10/2008	Tolerance specified
02 06/05/2010	Electrical specs. and dimensional details