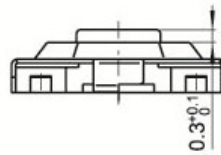
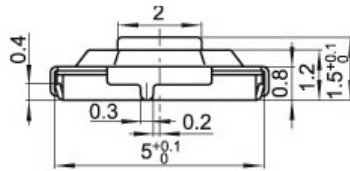
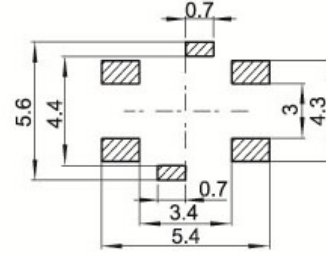
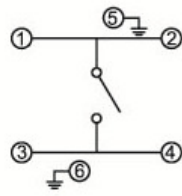
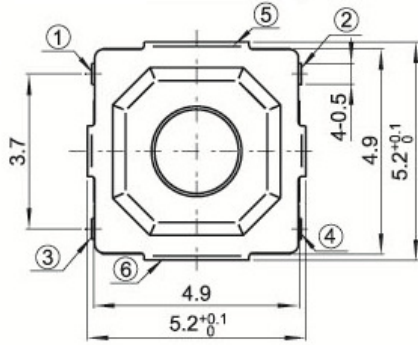
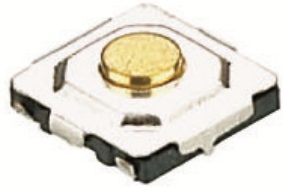


PART NUMBER: SMD-5252-07-DP

DESCRIPTION: 5.2X5.2XHmm 5.2X5.2 SMD TACT SWITCH WITH EARTHING TERMINAL DUST PROOF

ROHS COMPLIANT

DUST PROOF

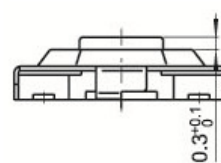
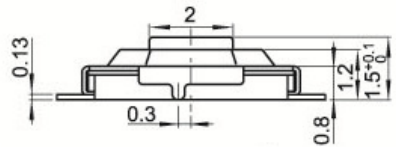
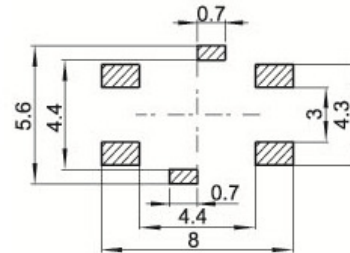
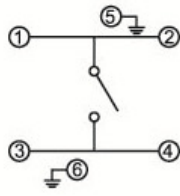
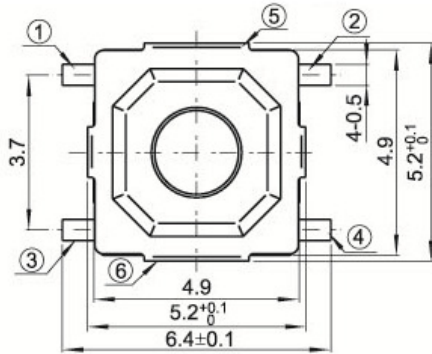
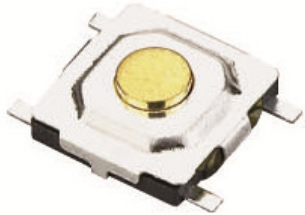


SPECIFICATIONS

Items		Standard
Operating temperature range		-30°C to +85°C
Electrical performance	Rating	50mA, 12V DC
	Insulation resistance	100MΩ min. 100V DC
	Dielectric strength	250V AC for 1 min.
	Contact resistance	100mΩ max.
Durability	Lifetime	200,000 Cycles
Mechanical performance	Operating force	160gf 250gf
	Travel	0.25 ± 0.1mm

PART NUMBER: SMD-5252-08-DP

DESCRIPTION: 5.2X5.2XHmm 5.2X5.2 SMT TACT SWITCH WITH EARTHING TERMINAL DUST PROOF



Dimensional tolerance +/- 0.2mm

PRAN ELECTRONICS PVT. LTD.
INDIA.