

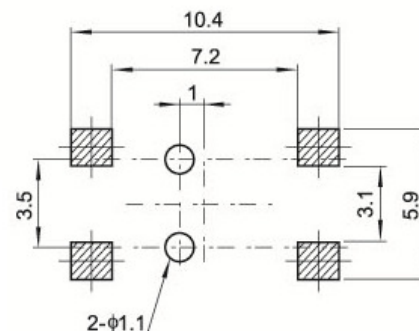
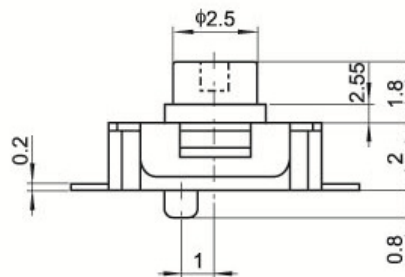
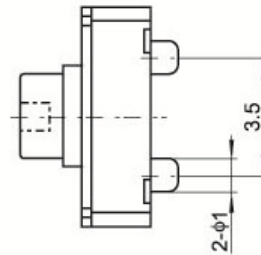
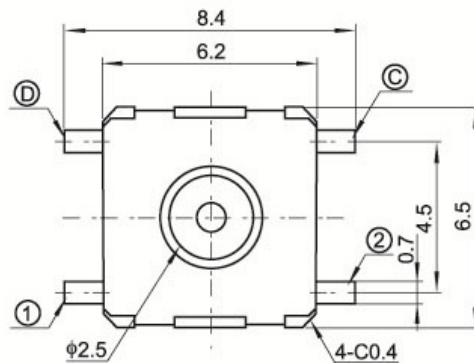
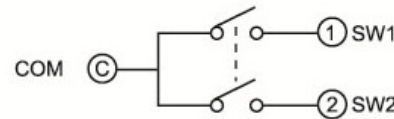
PART NUMBER: SMD-MF-01

DESCRIPTION: 6.2X6.5X2.0/3.8mm MULTI FUNCTION SMD TACT SWITCH



ROHS COMPLIANT

DOUBLE ACTION



SPECIFICATIONS

Items		Standard
Operating temperature range		-30°C to +85°C
Electrical performance	Rating	50mA. 12V DC
	Insulation resistance	100MΩ min. 100V DC
	Dielectric strength	250V AC for 1 min.
	Contact resistance	100mΩ max.
Durability	Lifetime	10,000 Cycles
Mechanical performance	Operating force 1st 100 ± 40gf 2nd 250 ± 80gf	
	Travel 1st 0.3 ± 0.1mm 2nd 0.55 ± 0.1mm	

Dimensional tolerance +/- 0.2mm

PRAN ELECTRONICS PVT. LTD.
INDIA.