

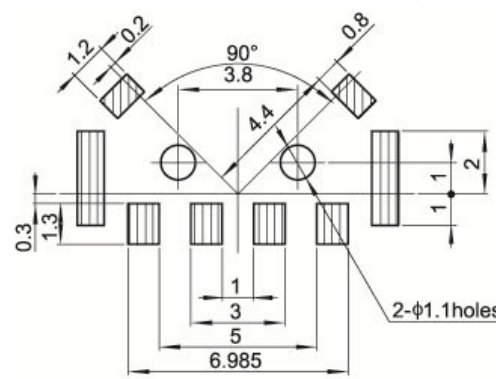
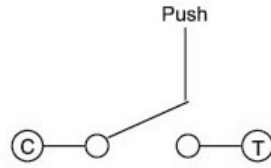
DESCRIPTION: MULTI FUNCTION PUSH AND LEVER SMD TACT SWITCH



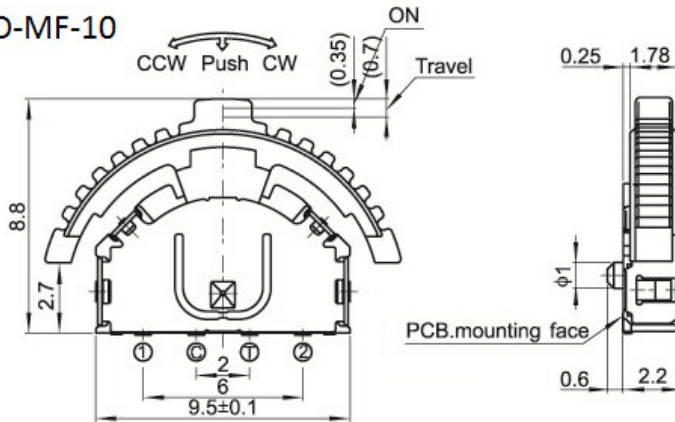
ROHS COMPLIANT

COMMON FOR BOTH SWITCHES CODE TABLE, CIRCUIT DIAGRAM AND PCB LAYOUT

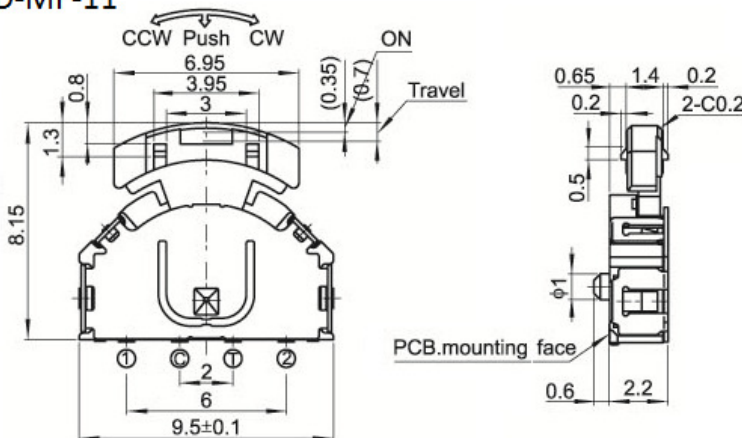
Code table	20° }	0°	20° }
Angle	(15°)		(15°)
Terminal			
①			
②			
③			



PART NUMBER: SMD-MF-10



PART NUMBER: SMD-MF-11



SPECIFICATIONS

Items		Standard
Operating temperature range		-30°C to +85°C
Electrical performance	Rating	10mA. 5V DC
	Output voltage	1V max. at 1mA 5V DC
	Dielectric strength	250V AC for 1 min.
	Contact resistance	100mΩ max.
Durability	Lifetime	100,000 Cycles
Mechanical performance	Operating force	Lever portion 70 ± 40gf
		Push portion 250 ± 100gf
	Travel	4-direction -20° 0° +20° Push portion 0.70 ± 0.1mm