

DESCRIPTION: MULTI FUNCTION PUSH AND LEVER SMD TACT SWITCH

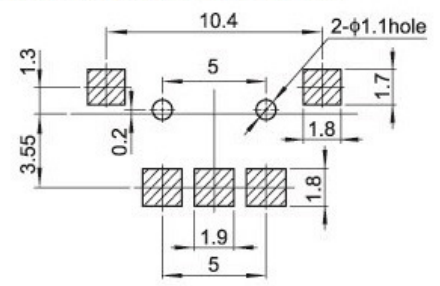
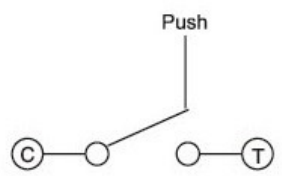


ROHS COMPLIANT

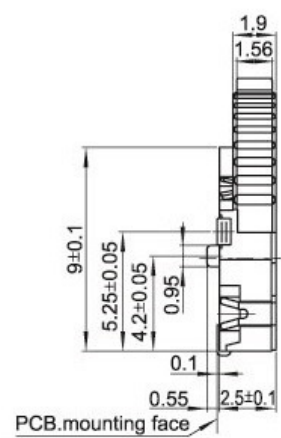
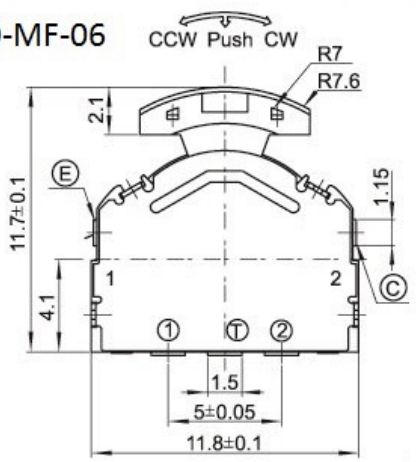
COMMON FOR BOTH SWITCHES CODE TABLE, CIRCUIT DIAGRAM AND PCB LAYOUT

Code table

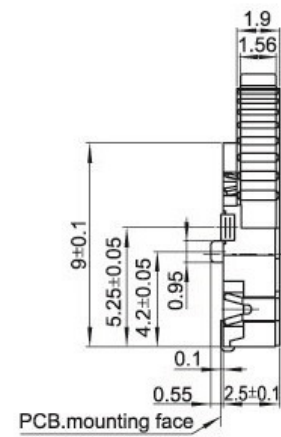
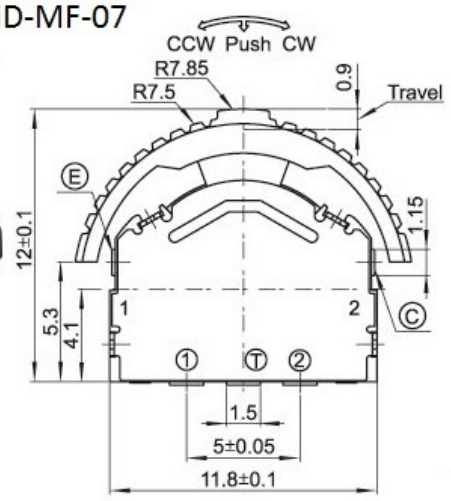
Angle	25° } CW	0°	CCW	25° }
Terminal	(18°)		(18°)	
①	▨			
②			▨	
③	▨		▨	



PART NUMBER: SMD-MF-06



PART NUMBER: SMD-MF-07



SPECIFICATIONS

Items		Standard
Operating temperature range		-30°C to +85°C
Electrical performance	Rating	10mA. 5V DC
	Output voltage	1V max. at 1mA 5V DC
	Dielectric strength	250V AC for 1 min.
	Contact resistance	100mΩ max.
Durability	Lifetime	100,000 Cycles
Mechanical performance	Operating force	Lever portion 70 ± 40gf
		Push portion 200 ± 100gf
	Travel	4-direction -25° 0° +25° Push portion 0.90 ± 0.1mm

REV.00 DATE 08/04/2020

Dimensional tolerance +/- 0.2mm

