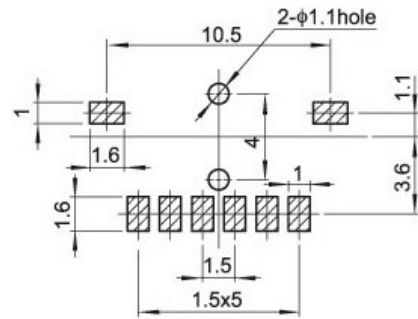
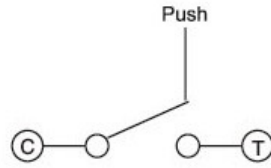


DESCRIPTION: MULTI FUNCTION PUSH AND LEVER SMD TACT SWITCH

Code table COMMON FOR BOTH SWITCHES CODE TABLE, CIRCUIT DIAGRAM AND PCB LAYOUT

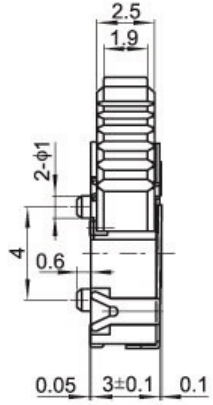
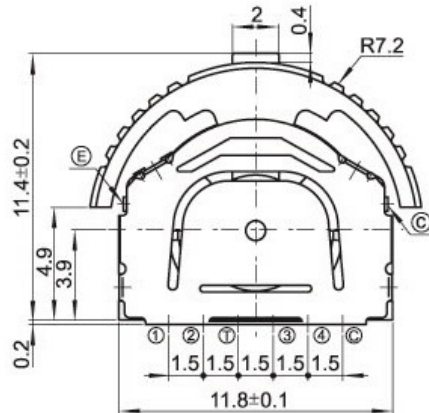
ROHS COMPLIANT

Angle	25° } CW	0°	CCW	25° }
Terminal	(21.5°)	(11°)	(11°)	(21.5°)
①	Shaded			
②	Shaded			
③			Shaded	
④			Shaded	
Ⓒ	Shaded	Shaded	Shaded	Shaded



MULTI FUNCTION PUSH AND LEVER

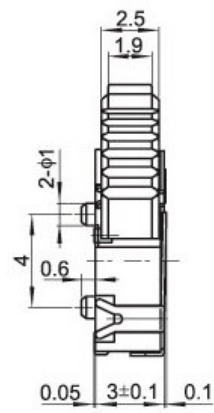
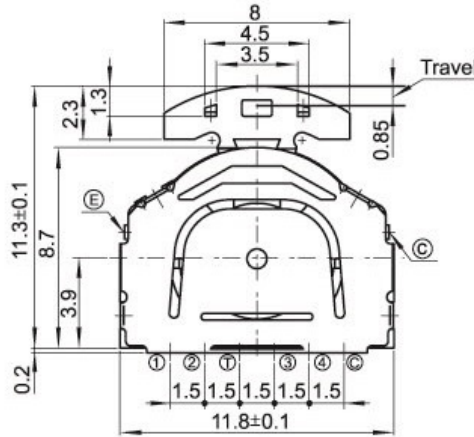
PART NUMBER: SMD-MF-08



SPECIFICATIONS

Items		Standard
Operating temperature range		-30°C to +85°C
Electrical performance	Rating	10mA. 5V DC
	Output voltage	1V max. at 1mA 5V DC
	Dielectric strength	250V AC for 1 min.
	Contact resistance	100mΩ max.
Durability	Lifetime	100,000 Cycles
Mechanical performance	Operating force	Lever portion 70 ± 40gf
		Push portion 200 ± 100gf
	Travel	4-direction -25° 0° +25° Push portion 0.85 ± 0.1mm

PART NUMBER: SMD-MF-09



Dimensional tolerance +/- 0.2mm

REV.00 DATE 08/04/2020

PRAN ELECTRONICS PVT. LTD. INDIA.