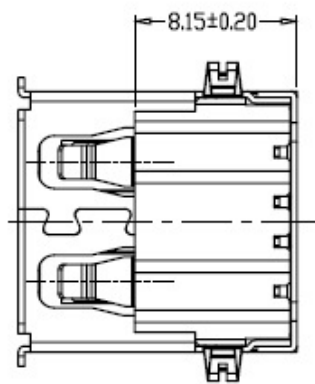
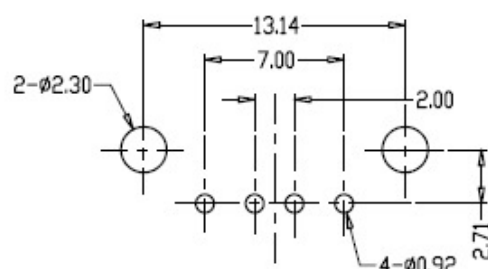
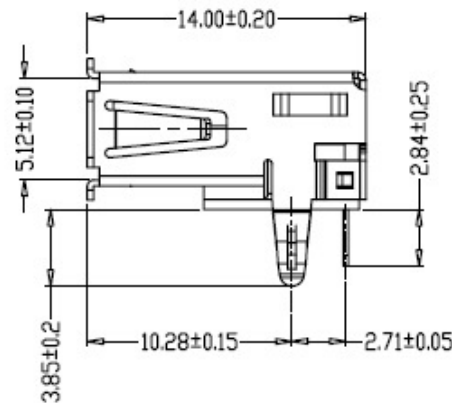
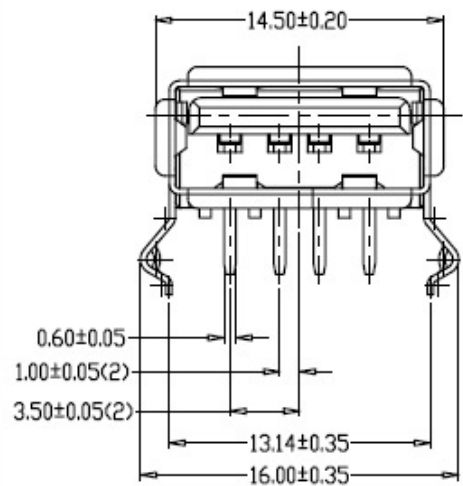
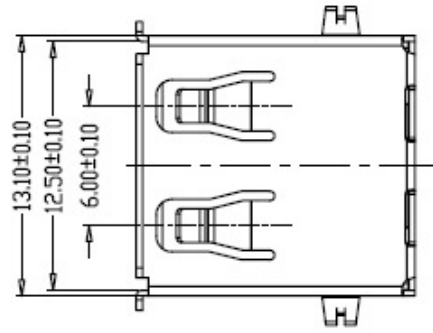
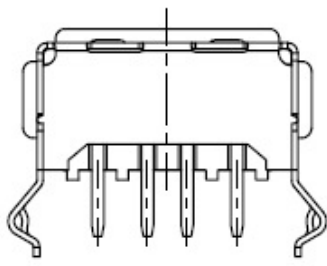


RoHS
Compliant



RECOMMENDED P.C.B HOLE LAYOUT
TOP VIEW(TOLERANCE:±0.10)

Specification

- 1.Voltage Current Rating:1AMP.30V AC
- 2.Insulation Resistance:1000 MOhms Min.
- 3.Contact Resistance:30 mOhms Max.
- 4.Dielectric Withstanding Voltage:500V AC
- 5.Temperature Range:-20°C to +60°C
Remark:48Hours Guarantee by -30°C storage temperature
- 6.Mechanical Characteristics:
Insertion Force:35 Newtons maximum
Extraction Force:10 Newtons minimum

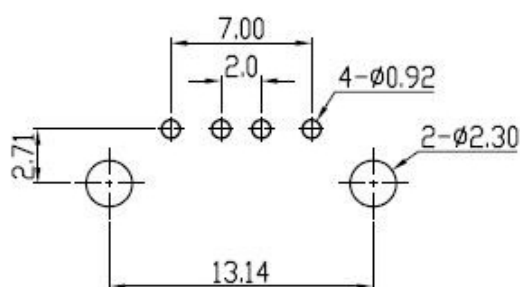
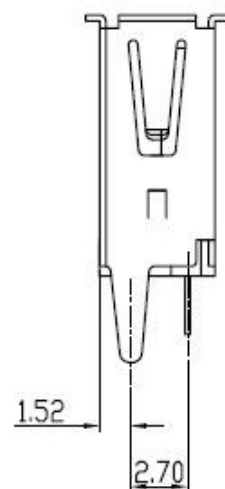
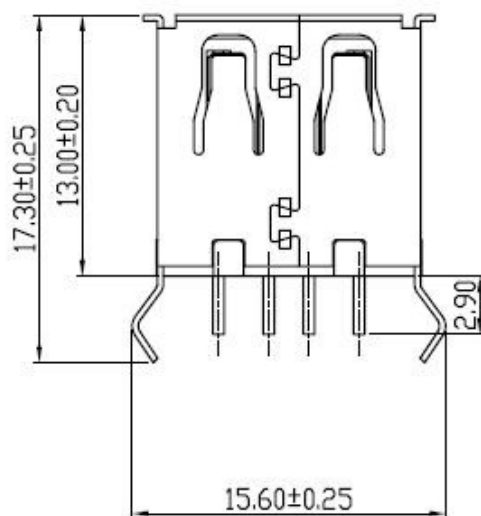
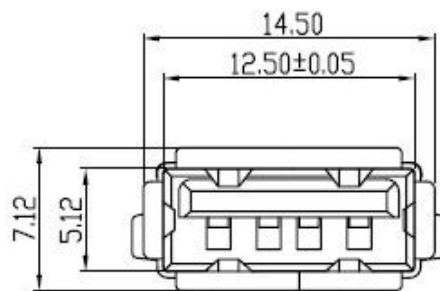
Part No.: USB A

Description: USB A Connector Side Entry

PRAN ELECTRONICS PVT. LTD
VADODARA, 390010.
INDIA.

Rev. 00: 5/3/2007

RoHS
Compliant



RECOMMENDED P.C.B HOLE LAYOUT
TOP VIEW(TOLERANCE:±0.10)



Specification

- 1.Voltage Current Rating:1AMP.30V AC
- 2.Insulation Resistance:1000 MOhms Min.
- 3.Contact Resistance:30 mOhms Max.
- 4.Dielectric Withstanding Voltage:500V AC
- 5.Temperature Range:-20°C to +60°C
Remark:48Hours Guarantee by -30°C storage temperature
- 6.Mechanical Characteristics:
Insertion Force:35 Newtons maximum
Extraction Force:10 Newtons minimum

Part No.: USB AT

Description: USB A Connector Top Entry

PRAN ELECTRONICS PVT. LTD
VADODARA, 390010.
INDIA.

Rev. 00: 13/4/2010